



SPECIALISED FORCE PTY. LTD.

www.specialisedforce.com.au

NGK Ratchet Pullers (Made in Japan)

CHAIN

MODEL 3000

(with 2 pawls)

Alloy link chain (Length available)

Aluminum housing

Steel handle

Rotates full 360°

OPTION (CHAIN BAG)

(1.5m Pull)

CAPACITY	CHAIN DIA.	MIN. L.	MAX. L.	LEVER L.	WT.
30KN(3.0T)	5 ^m / _m	480 ^m / _m	2000 ^m / _m	430 ^m / _m	8kg

MODEL 4000 6000

Alloy link chain (Length available)

Rotates full 360°

OPTION (CHAIN BAG)

(1.5m Pull)

NEW

CAPACITY	CHAIN DIA.	MIN. L.	MAX. L.	LEVER L.	WT.
40KN(4.0T)	5 ^m / _m	580 ^m / _m	2180 ^m / _m	430 ^m / _m	12kg
60KN(6.0T)	5 ^m / _m	650 ^m / _m	2250 ^m / _m	430 ^m / _m	19kg

MODEL RICKY-2

Alloy link chain (Length available)

(1.5m Pull)

Rotates full 360°

(Only 4kg wt)

CAPACITY	CHAIN DIA.	MIN. L.	MAX. L.	LEVER L.	WT.
7.5KN(3/4T)	5 ^m / _m	300 ^m / _m	1800 ^m / _m	230 ^m / _m	4kg



SPECIALISED FORCE PTY. LTD.

A.B.N. 19 002 433 436

A.C.N. 002 433 436

SYDNEY – HEAD OFFICE: 131 WOIDS AVENUE, CARLTON NSW 2218 AUSTRALIA

TEL: (02) 9547 1844 FAX: (02) 9547 2236

Email: sales@specialisedforce.com.au www.specialisedforce.com.au

BRISBANE OFFICE: 1/68 NORTHLINK PLACE, NORTHGATE QLD 4013

TEL: (07) 3256 6011 FAX: (07) 3256 6055 Email: qldsales@specialisedforce.com.au

TOWNSVILLE OFFICE: 2/16 VENESS COURT, GARBUTT QLD 4814

TEL: (07) 4728 8756 FAX: (07) 4725 4380 Email: rdeath@specialisedforce.com.au

MELBOURNE OFFICE: 2/18 SOUTHFORK DRIVE, KILSYTH VIC 3137

TEL: (03) 9761 4199 FAX: (03) 9761 4966 Email: vicsales@specialisedforce.com.au

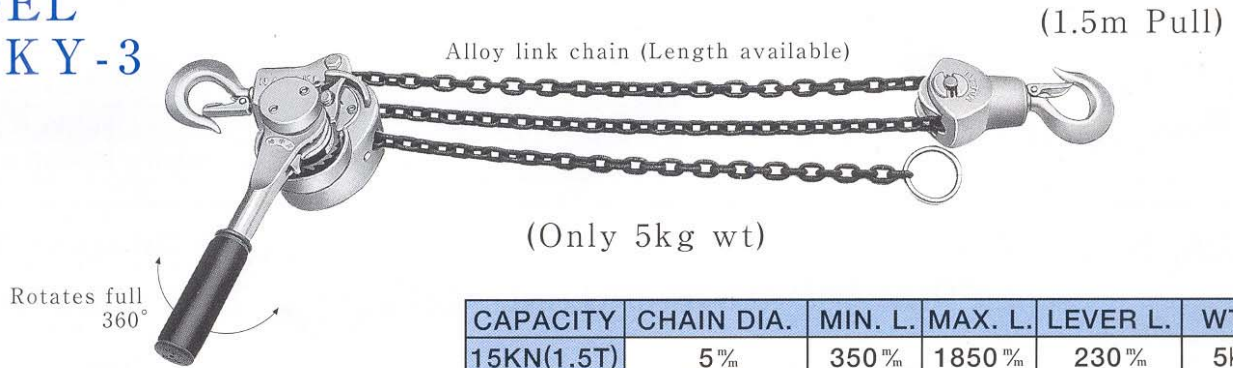
PERTH OFFICE: 2/19 AUGUSTA STREET, WILLETTON WA 6155

TEL: (08) 9354 8544 FAX: (08) 9354 8360 Email: wasales@specialisedforce.com.au

NGK Ratchet Pullers

CHAIN

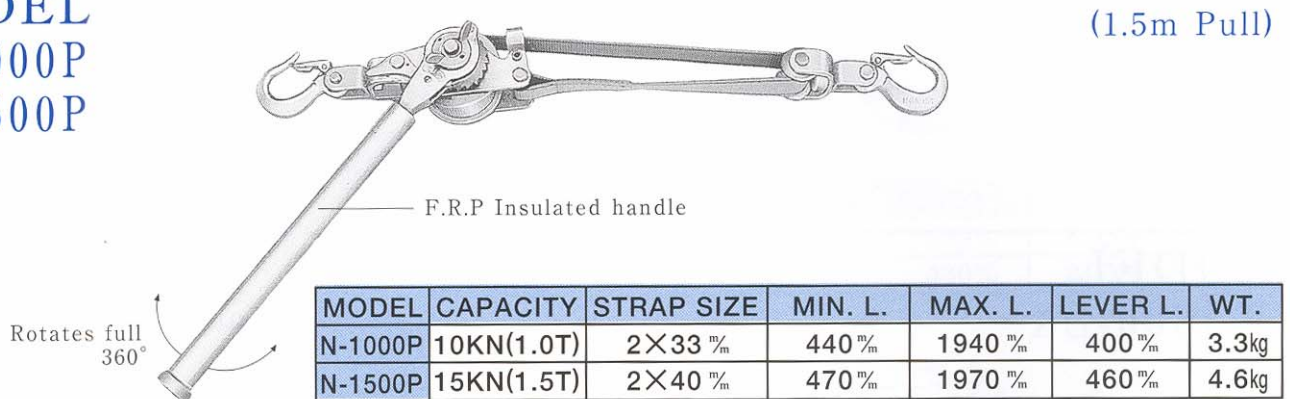
MODEL RICKY-3



CAPACITY	CHAIN DIA.	MIN. L.	MAX. L.	LEVER L.	WT.
15KN(1.5T)	5 ^m / _m	350 ^m / _m	1850 ^m / _m	230 ^m / _m	5kg

WEB-STRAP

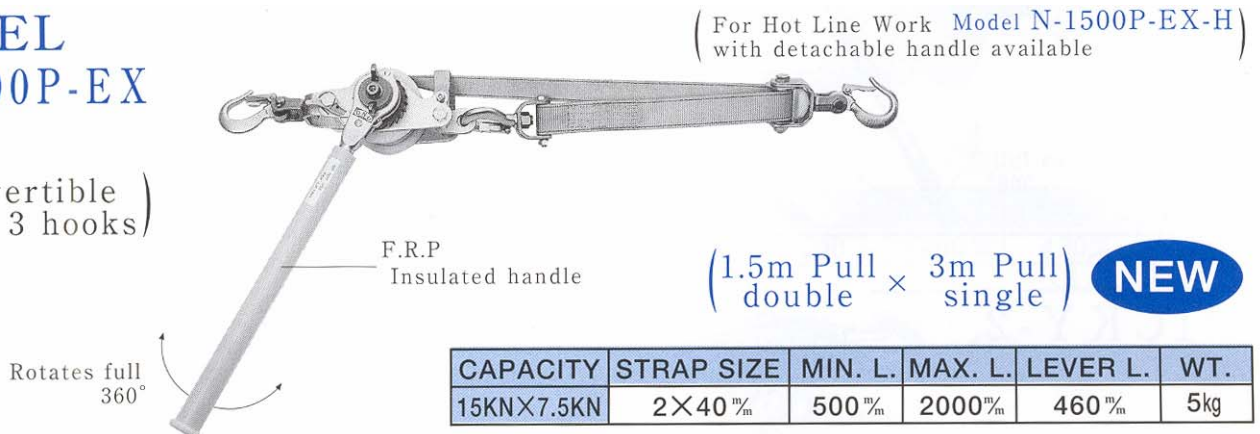
MODEL N-1000P N-1500P



MODEL	CAPACITY	STRAP SIZE	MIN. L.	MAX. L.	LEVER L.	WT.
N-1000P	10KN(1.0T)	2×33 ^m / _m	440 ^m / _m	1940 ^m / _m	400 ^m / _m	3.3kg
N-1500P	15KN(1.5T)	2×40 ^m / _m	470 ^m / _m	1970 ^m / _m	460 ^m / _m	4.6kg

MODEL N-1500P-EX

(Convertible with 3 hooks)



CAPACITY	STRAP SIZE	MIN. L.	MAX. L.	LEVER L.	WT.
15KN×7.5KN	2×40 ^m / _m	500 ^m / _m	2000 ^m / _m	460 ^m / _m	5kg



SPECIALISED FORCE PTY. LTD.

A.B.N. 19 002 433 436

A.C.N. 002 433 436

SYDNEY – HEAD OFFICE: 131 WOIDS AVENUE, CARLTON NSW 2218 AUSTRALIA

TEL: (02) 9547 1844 FAX: (02) 9547 2236

Email: sales@specialisedforce.com.au www.specialisedforce.com.au

BRISBANE OFFICE: 1/68 NORTHLINK PLACE, NORTHGATE QLD 4013

TEL: (07) 3256 6011 FAX: (07) 3256 6055 Email: qldsales@specialisedforce.com.au

TOWNSVILLE OFFICE: 2/16 VENESS COURT, GARBUTT QLD 4814

TEL: (07) 4728 8756 FAX: (07) 4725 4380 Email: rdeath@specialisedforce.com.au

MELBOURNE OFFICE: 2/18 SOUTHFORK DRIVE, KILSYTH VIC 3137

TEL: (03) 9761 4199 FAX: (03) 9761 4966 Email: vic-sales@specialisedforce.com.au

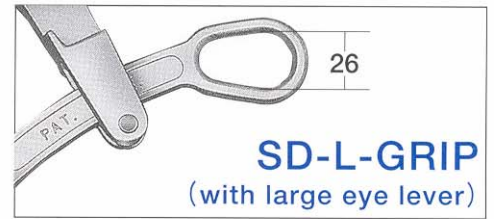
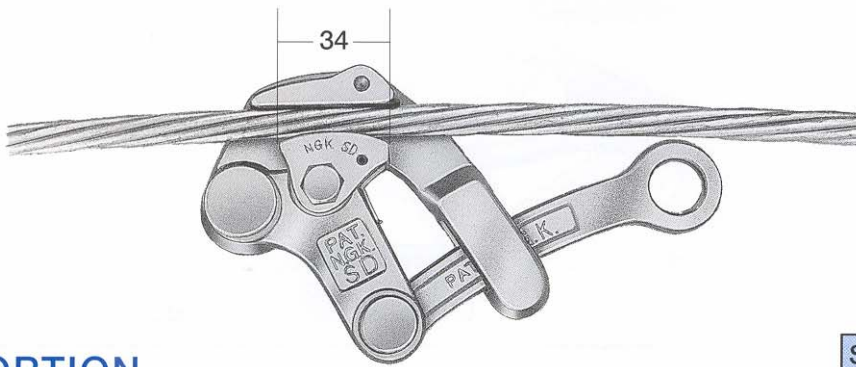
PERTH OFFICE: 2/19 AUGUSTA STREET, WILLETTON WA 6155

TEL: (08) 9354 8544 FAX: (08) 9354 8360 Email: wasales@specialisedforce.com.au

NGK Wire Grips

SD-GRIP

For steel rod, copper cable and messenger wire



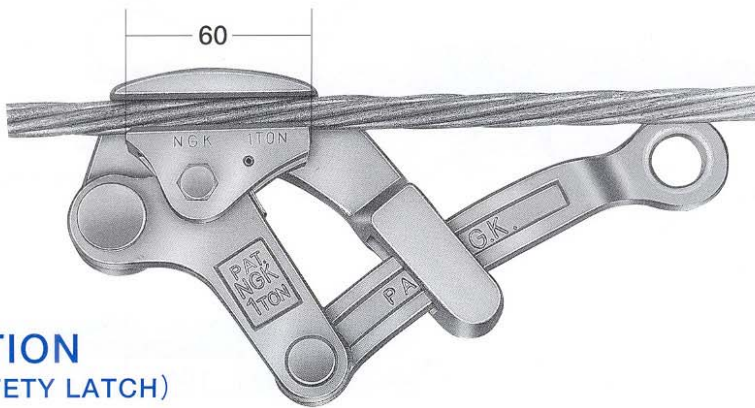
SD-L-GRIP
(with large eye lever)

OPTION
(SAFETY LATCH)

SAFE LOAD	MIN. CABLE DIA.	MAX. CABLE DIA.	WT.
10KN(1.0T)	2.6 ^m / _m	15 ^m / _m	0.6kg

1TON-GRIP

For bare copper cable, covered conductor and messenger wire



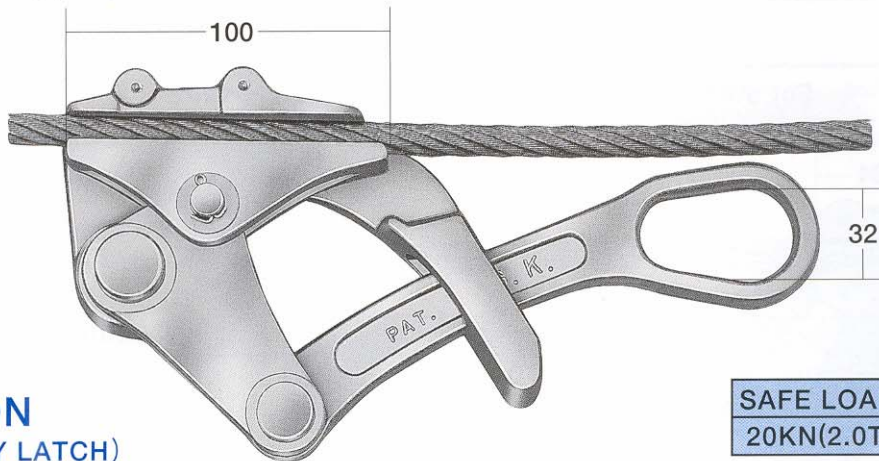
1TON-L-GRIP
(with large eye lever)

OPTION
(SAFETY LATCH)

SAFE LOAD	MIN. CABLE DIA.	MAX. CABLE DIA.	WT.
10KN(1.0T)	4 ^m / _m	22 ^m / _m	1.1kg

2TON-W-GRIP

For wire rope, messenger wire, copper cable, Trolley cable



OPTION
(SAFETY LATCH)

SAFE LOAD	MIN. WIRE DIA.	MAX. WIRE DIA.	WT.
20KN(2.0T)	5 ^m / _m	16 ^m / _m	1.4kg



SPECIALISED FORCE PTY. LTD.

A.B.N. 19 002 433 436

A.C.N. 002 433 436

SYDNEY – HEAD OFFICE: 131 WOIDS AVENUE, CARLTON NSW 2218 AUSTRALIA

TEL: (02) 9547 1844 FAX: (02) 9547 2236

Email: sales@specialisedforce.com.au www.specialisedforce.com.au

BRISBANE OFFICE: 1/68 NORTHLINK PLACE, NORTHGATE QLD 4013

TEL: (07) 3256 6011 FAX: (07) 3256 6055 Email: qldsales@specialisedforce.com.au

TOWNSVILLE OFFICE: 2/16 VENESS COURT, GARBUTT QLD 4814

TEL: (07) 4728 8756 FAX: (07) 4725 4380 Email: rdeath@specialisedforce.com.au

MELBOURNE OFFICE: 2/18 SOUTHFORK DRIVE, KILSYTH VIC 3137

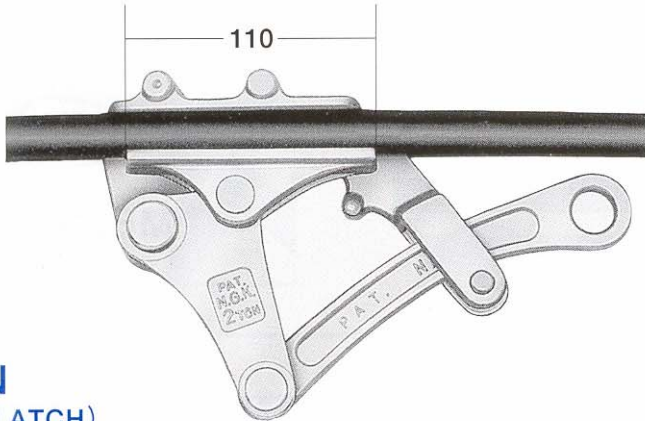
TEL: (03) 9761 4199 FAX: (03) 9761 4966 Email: vic-sales@specialisedforce.com.au

PERTH OFFICE: 2/19 AUGUSTA STREET, WILLETTON WA 6155

TEL: (08) 9354 8544 FAX: (08) 9354 8360 Email: wasales@specialisedforce.com.au

NGK Wire Grips

MIDDLE-GRIP For copper cable, covered conductor and messenger wire

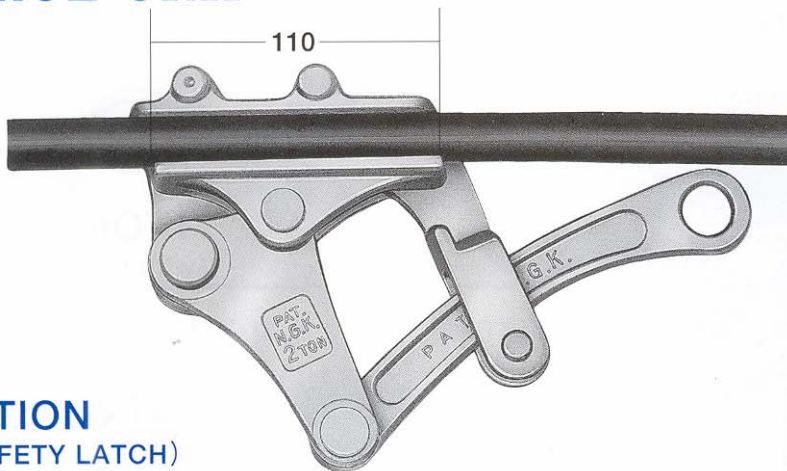


MIDDLE-L-GRIP
(with large eye lever)

OPTION
(SAFETY LATCH)

SAFE LOAD	MIN. CABLE DIA.	MAX. CABLE DIA.	WT.
20KN(2.0T)	5 ^m	25 ^m	1.8kg

LARGE-GRIP For copper cable and covered conductor



LARGE-L-GRIP
(with large eye lever)

OPTION
(SAFETY LATCH)

SAFE LOAD	MIN. CABLE DIA.	MAX. CABLE DIA.	WT.
20KN(2.0T)	16 ^m	32 ^m	2.1kg

3TON-GRIP For wire rope, messenger wire, copper cable and trolley cable



SAFE LOAD	MIN. CABLE DIA.	MAX. CABLE DIA.	WT.
30KN(3.0T)	8 ^m	22 ^m	3kg

OPTION
(SAFETY LATCH)



SPECIALISED FORCE PTY. LTD.

A.B.N. 19 002 433 436

A.C.N. 002 433 436

SYDNEY – HEAD OFFICE: 131 WOIDS AVENUE, CARLTON NSW 2218 AUSTRALIA

TEL: (02) 9547 1844 FAX: (02) 9547 2236

Email: sales@specialisedforce.com.au www.specialisedforce.com.au

BRISBANE OFFICE: 1/68 NORTHLINK PLACE, NORTHGATE QLD 4013

TEL: (07) 3256 6011 FAX: (07) 3256 6055 Email: qldsales@specialisedforce.com.au

TOWNSVILLE OFFICE: 2/16 VENESS COURT, GARBUTT QLD 4814

TEL: (07) 4728 8756 FAX: (07) 4725 4380 Email: rdeath@specialisedforce.com.au

MELBOURNE OFFICE: 2/18 SOUTHFORK DRIVE, KILSYTH VIC 3137

TEL: (03) 9761 4199 FAX: (03) 9761 4966 Email: vic-sales@specialisedforce.com.au

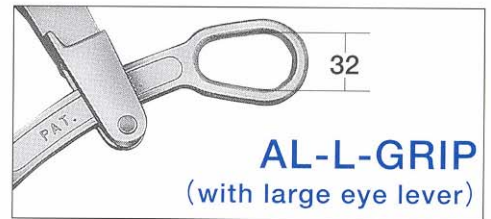
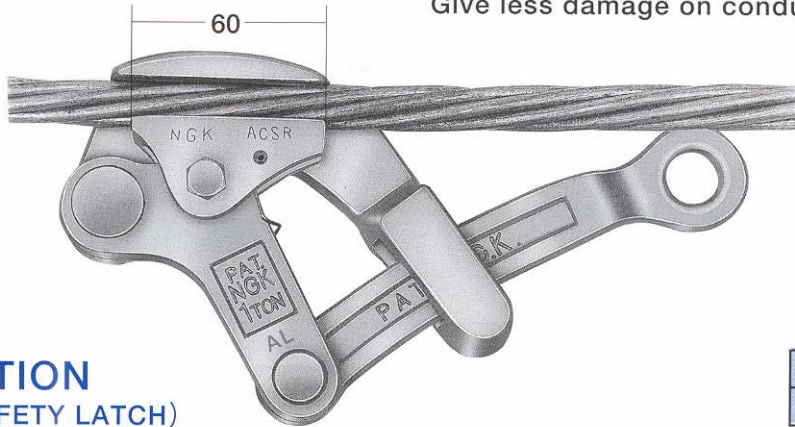
PERTH OFFICE: 2/19 AUGUSTA STREET, WILLETTON WA 6155

TEL: (08) 9354 8544 FAX: (08) 9354 8360 Email: wasales@specialisedforce.com.au

NGK Wire Grips

AL-GRIP

All AL-GRIPS are with fine, smooth jaw.
Give less damage on conductor.



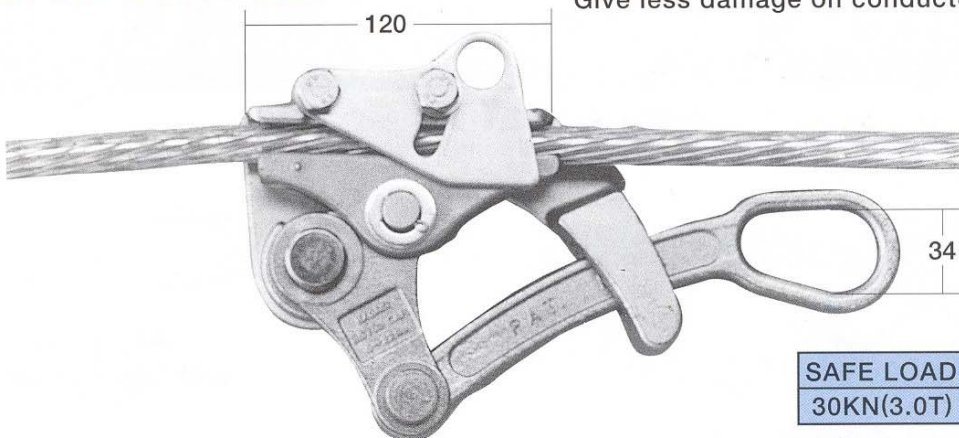
AL-L-GRIP
(with large eye lever)

OPTION
(SAFETY LATCH)

SAFE LOAD	MIN. CABLE DIA.	MAX. CABLE DIA.	WT.
10KN(1.0T)	5 ^m / _m	22 ^m / _m	1.1 kg

AL-3TON-GRIP

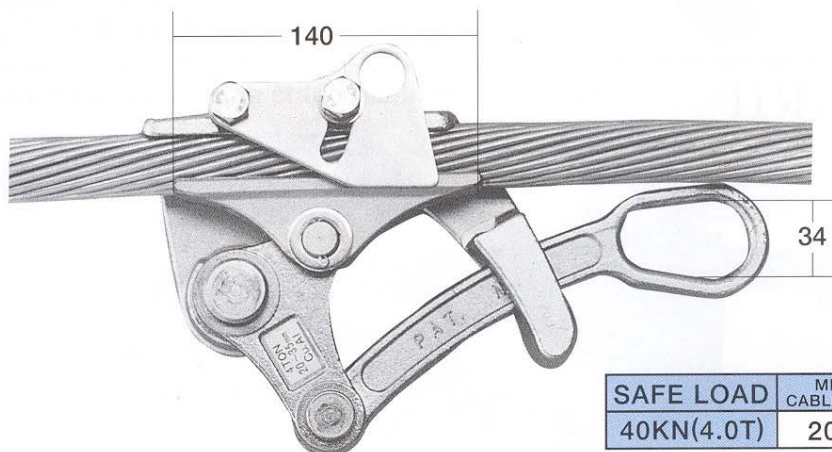
All AL-GRIPS are with fine, smooth jaw.
Give less damage on conductor.



SAFE LOAD	MIN. CABLE DIA.	MAX. CABLE DIA.	WT.
30KN(3.0T)	8 ^m / _m	22 ^m / _m	3kg

AL-4TON-GRIP

For bare aluminum cable and bare copper cable



NEW

SAFE LOAD	MIN. CABLE DIA.	MAX. CABLE DIA.	WT.
40KN(4.0T)	20 ^m / _m	35 ^m / _m	3.7kg



SPECIALISED FORCE PTY. LTD.

A.B.N. 19 002 433 436

A.C.N. 002 433 436

SYDNEY – HEAD OFFICE: 131 WOIDS AVENUE, CARLTON NSW 2218 AUSTRALIA

TEL: (02) 9547 1844 FAX: (02) 9547 2236

Email: sales@specialisedforce.com.au www.specialisedforce.com.au

BRISBANE OFFICE: 1/68 NORTHLINK PLACE, NORTHGATE QLD 4013

TEL: (07) 3256 6011 FAX: (07) 3256 6055 Email: qldsales@specialisedforce.com.au

TOWNSVILLE OFFICE: 2/16 VENESS COURT, GARBUTT QLD 4814

TEL: (07) 4728 8756 FAX: (07) 4725 4380 Email: rdeath@specialisedforce.com.au

MELBOURNE OFFICE: 2/18 SOUTHFORK DRIVE, KILSYTH VIC 3137

TEL: (03) 9761 4199 FAX: (03) 9761 4966 Email: vic-sales@specialisedforce.com.au

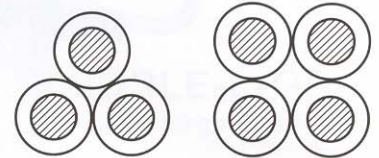
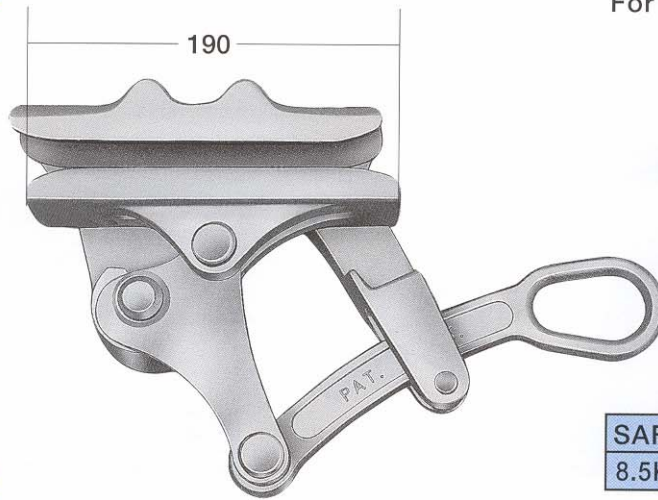
PERTH OFFICE: 2/19 AUGUSTA STREET, WILLETTON WA 6155

TEL: (08) 9354 8544 FAX: (08) 9354 8360 Email: wasales@specialisedforce.com.au

NGK Wire Grips

ABC-GRIP

For aerial boundled cable

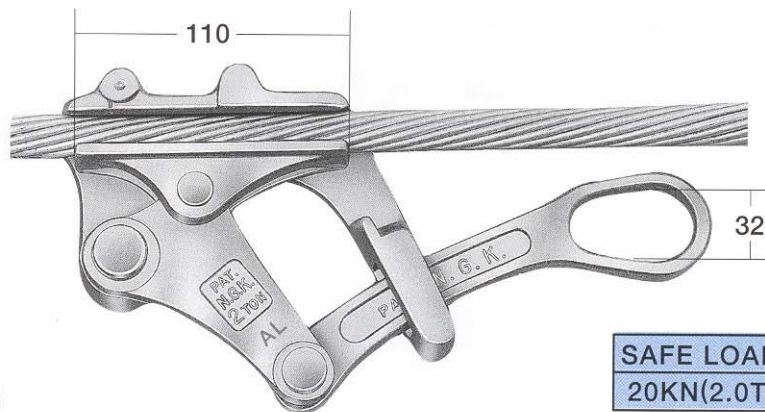


CABLE SECTION

OPTION
(SAFETY LATCH)

SAFE LOAD	MIN. CABLE DIA.	MAX. CABLE DIA.	WT.
8.5KN(0.85T)	4 X 35°	4 X 95°	3kg

AL-MIDDLE-GRIP For bare aluminum cable and bare copper cable



OPTION
(SAFETY LATCH)

SAFE LOAD	MIN. CABLE DIA.	MAX. CABLE DIA.	WT.
20KN(2.0T)	5 ^m / _m	25 ^m / _m	1.8kg



SPECIALISED FORCE PTY. LTD.

A.B.N. 19 002 433 436

A.C.N. 002 433 436

SYDNEY – HEAD OFFICE: 131 WOIDS AVENUE, CARLTON NSW 2218 AUSTRALIA

TEL: (02) 9547 1844 FAX: (02) 9547 2236

Email: sales@specialisedforce.com.au www.specialisedforce.com.au

BRISBANE OFFICE: 1/68 NORTHLINK PLACE, NORTHGATE QLD 4013

TEL: (07) 3256 6011 FAX: (07) 3256 6055 Email: qldsales@specialisedforce.com.au

TOWNSVILLE OFFICE: 2/16 VENESS COURT, GARBUTT QLD 4814

TEL: (07) 4728 8756 FAX: (07) 4725 4380 Email: rdeath@specialisedforce.com.au

MELBOURNE OFFICE: 2/18 SOUTHFORK DRIVE, KILSYTH VIC 3137

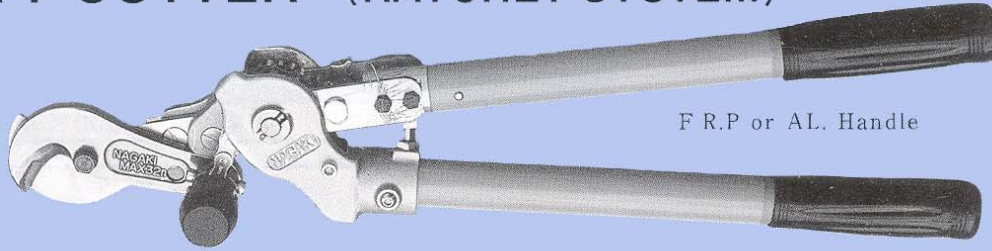
TEL: (03) 9761 4199 FAX: (03) 9761 4966 Email: vic-sales@specialisedforce.com.au

PERTH OFFICE: 2/19 AUGUSTA STREET, WILLETTON WA 6155

TEL: (08) 9354 8544 FAX: (08) 9354 8360 Email: wasales@specialisedforce.com.au

NGK Ratchet Cutter

MIGHTY CUTTER (RATCHET SYSTEM)



F R.P or AL. Handle

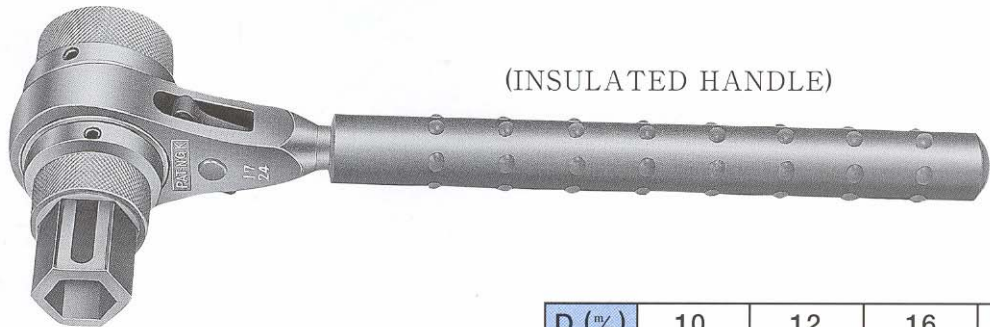
AC SR	HAL	CU	ST	LENGTH	WEIGHT
160mm	400mm	150mm	45mm	600mm	2.8kg

NGK Ratchet Spanner

RATCHET WRENCH

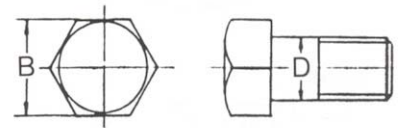
(FOUR DIFFERENT SIZE IN ONE)

MODEL
BY-3



(INSULATED HANDLE)

D (mm)	10	12	16	20
B (mm)	17	19	24	30



SPECIALISED FORCE PTY. LTD.

A.B.N. 19 002 433 436

A.C.N. 002 433 436

SYDNEY – HEAD OFFICE: 131 WOIDS AVENUE, CARLTON NSW 2218 AUSTRALIA

TEL: (02) 9547 1844 FAX: (02) 9547 2236

Email: sales@specialisedforce.com.au www.specialisedforce.com.au

BRISBANE OFFICE: 1/68 NORTHLINK PLACE, NORTHGATE QLD 4013

TEL: (07) 3256 6011 FAX: (07) 3256 6055 Email: qldsales@specialisedforce.com.au

TOWNSVILLE OFFICE: 2/16 VENESS COURT, GARBUTT QLD 4814

TEL: (07) 4728 8756 FAX: (07) 4725 4380 Email: rdeath@specialisedforce.com.au

MELBOURNE OFFICE: 2/18 SOUTHFORK DRIVE, KILSYTH VIC 3137

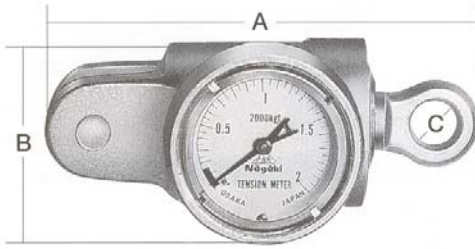
TEL: (03) 9761 4199 FAX: (03) 9761 4966 Email: vicsales@specialisedforce.com.au

PERTH OFFICE: 2/19 AUGUSTA STREET, WILLETTON WA 6155

TEL: (08) 9354 8544 FAX: (08) 9354 8360 Email: wasales@specialisedforce.com.au

NGK Dynamometers

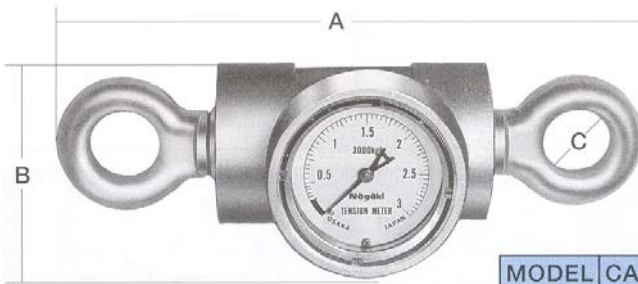
VERY SMALL, VERY LIGHT WEIGHT, VERY COMPACT
(Newton and Kg Unit)



A-1 , A-3 , A-5 , A-10 , A-20

(± 3% F.S.)

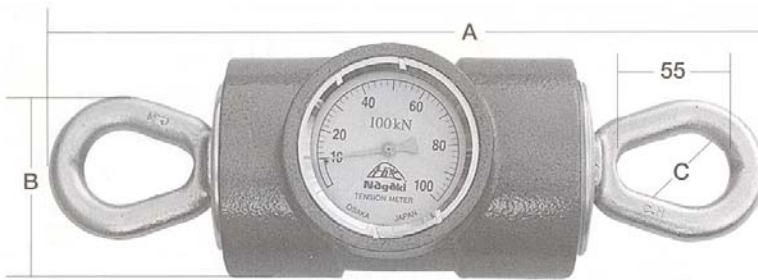
MODEL	CAPACITY	GRADUATION	A	B	C	WT.
A - 1	1KN(100kg)	20N(2kg)	130 ^{mm}	65 ^{mm}	20 ^{mm}	0.7kg
A - 3	3KN(300kg)	50N(5kg)	110 ^{mm}	65 ^{mm}	16 ^{mm}	0.7kg
A - 5	5KN(500kg)	100N(10kg)	110 ^{mm}	65 ^{mm}	16 ^{mm}	0.7kg
A-10	10KN(1.0T)	200N(20kg)	135 ^{mm}	65 ^{mm}	16 ^{mm}	0.8kg
A-20	20KN(2.0T)	500N(50kg)	135 ^{mm}	65 ^{mm}	16 ^{mm}	1.2kg



A-30, A-50

(± 3% F.S.)

MODEL	CAPACITY	GRADUATION	A	B	C	WT.
A-30	30KN(3.0T)	500N(50kg)	150 ^{mm}	80 ^{mm}	28 ^{mm}	2.0kg
A-50	50KN(5.0T)	1KN(100kg)	260 ^{mm}	95 ^{mm}	28 ^{mm}	3.0kg



A-100

NEW

(± 3% F.S.)

MODEL	CAPACITY	GRADUATION	A	B	C	WT.
A-100	100KN(10T)	2KN(200kg)	360 ^{mm}	100 ^{mm}	38 ^{mm}	7kg



SPECIALISED FORCE PTY. LTD.

A.B.N. 19 002 433 436

A.C.N. 002 433 436

SYDNEY – HEAD OFFICE: 131 WOIDS AVENUE, CARLTON NSW 2218 AUSTRALIA

TEL: (02) 9547 1844 FAX: (02) 9547 2236

Email: sales@specialisedforce.com.au www.specialisedforce.com.au

BRISBANE OFFICE: 1/68 NORTHLINK PLACE, NORTHGATE QLD 4013

TEL: (07) 3256 6011 FAX: (07) 3256 6055 Email: qldsales@specialisedforce.com.au

TOWNSVILLE OFFICE: 2/16 VENESS COURT, GARBUTT QLD 4814

TEL: (07) 4728 8756 FAX: (07) 4725 4380 Email: rdeath@specialisedforce.com.au

MELBOURNE OFFICE: 2/18 SOUTHFORK DRIVE, KILSYTH VIC 3137

TEL: (03) 9761 4199 FAX: (03) 9761 4966 Email: vic-sales@specialisedforce.com.au

PERTH OFFICE: 2/19 AUGUSTA STREET, WILLETTON WA 6155

TEL: (08) 9354 8544 FAX: (08) 9354 8360 Email: wasales@specialisedforce.com.au